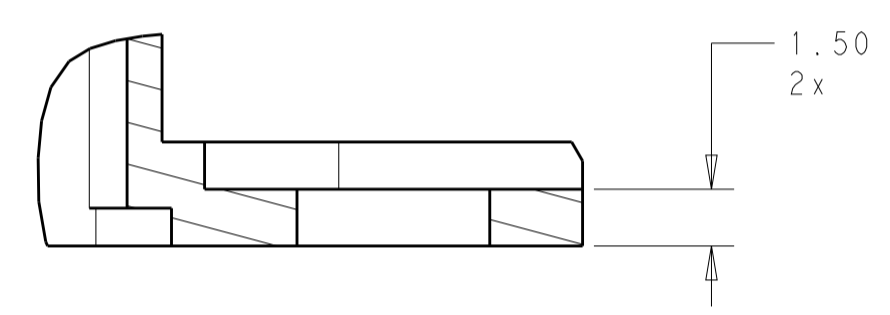
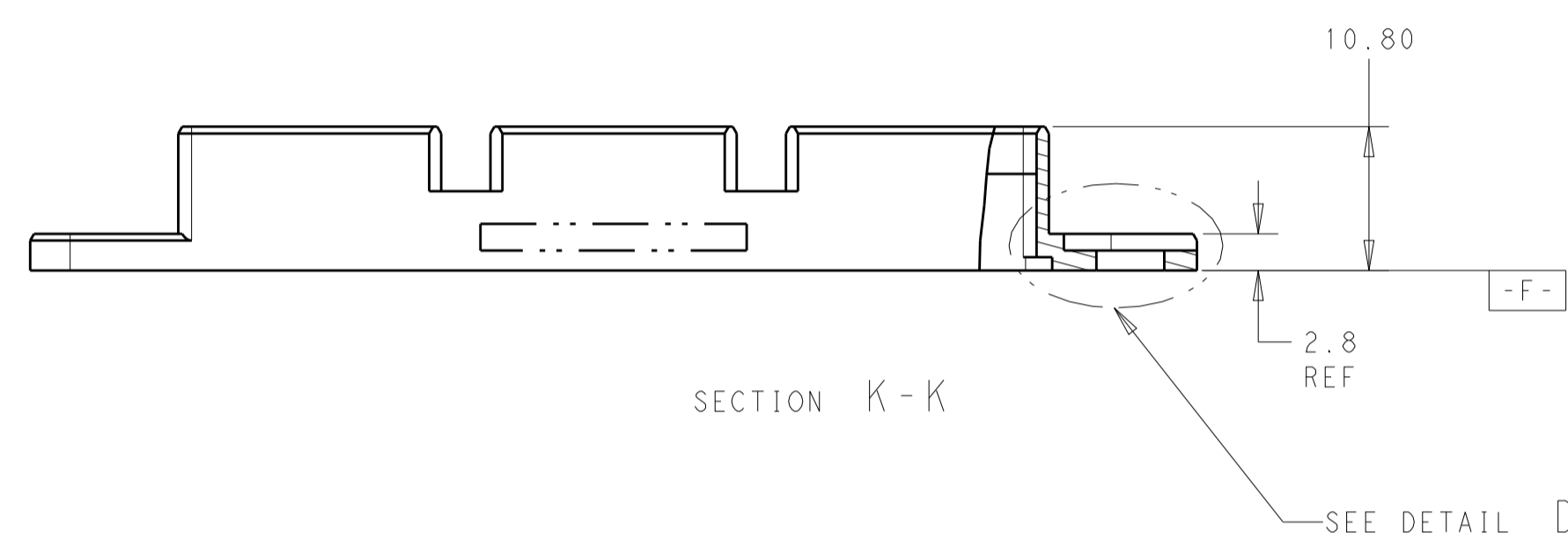
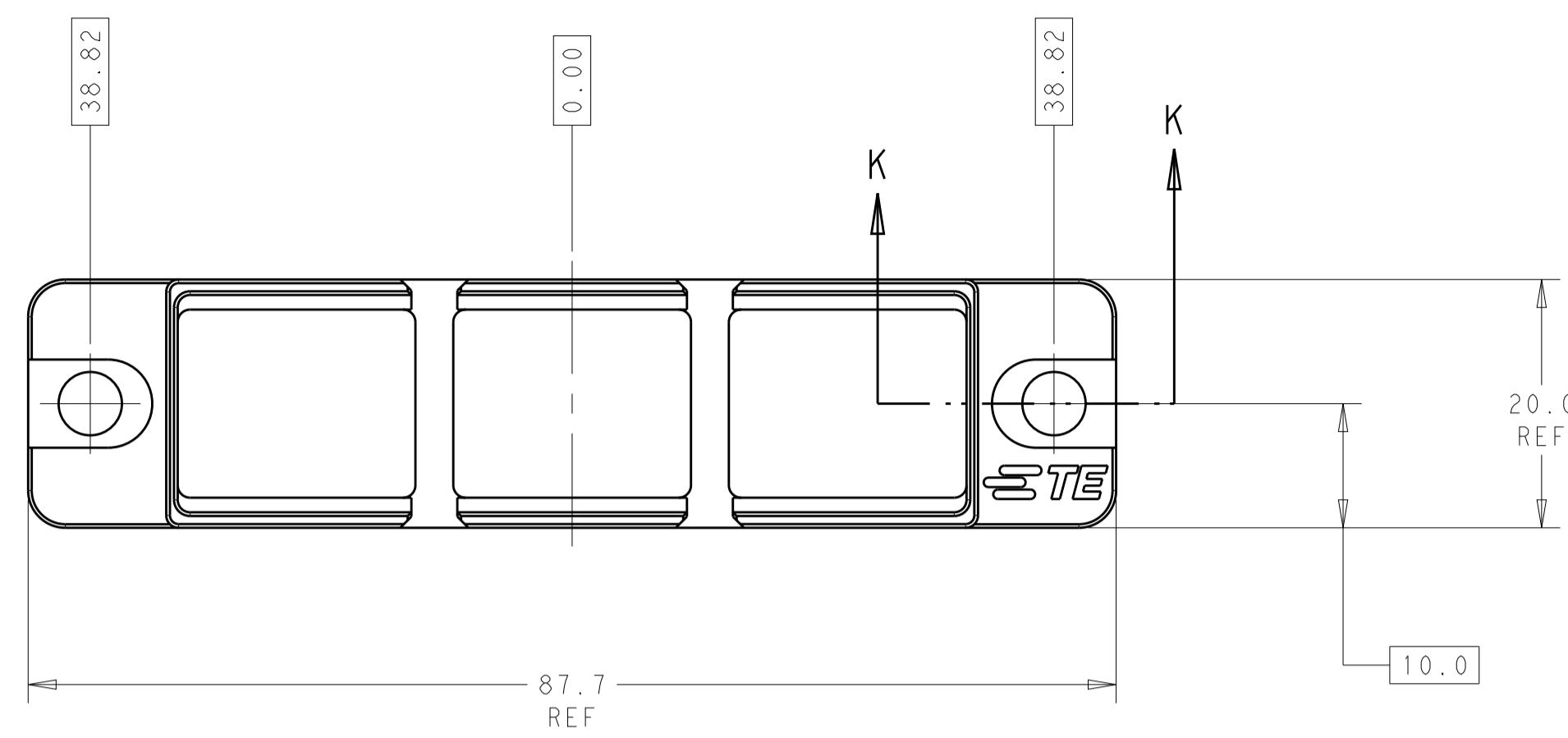
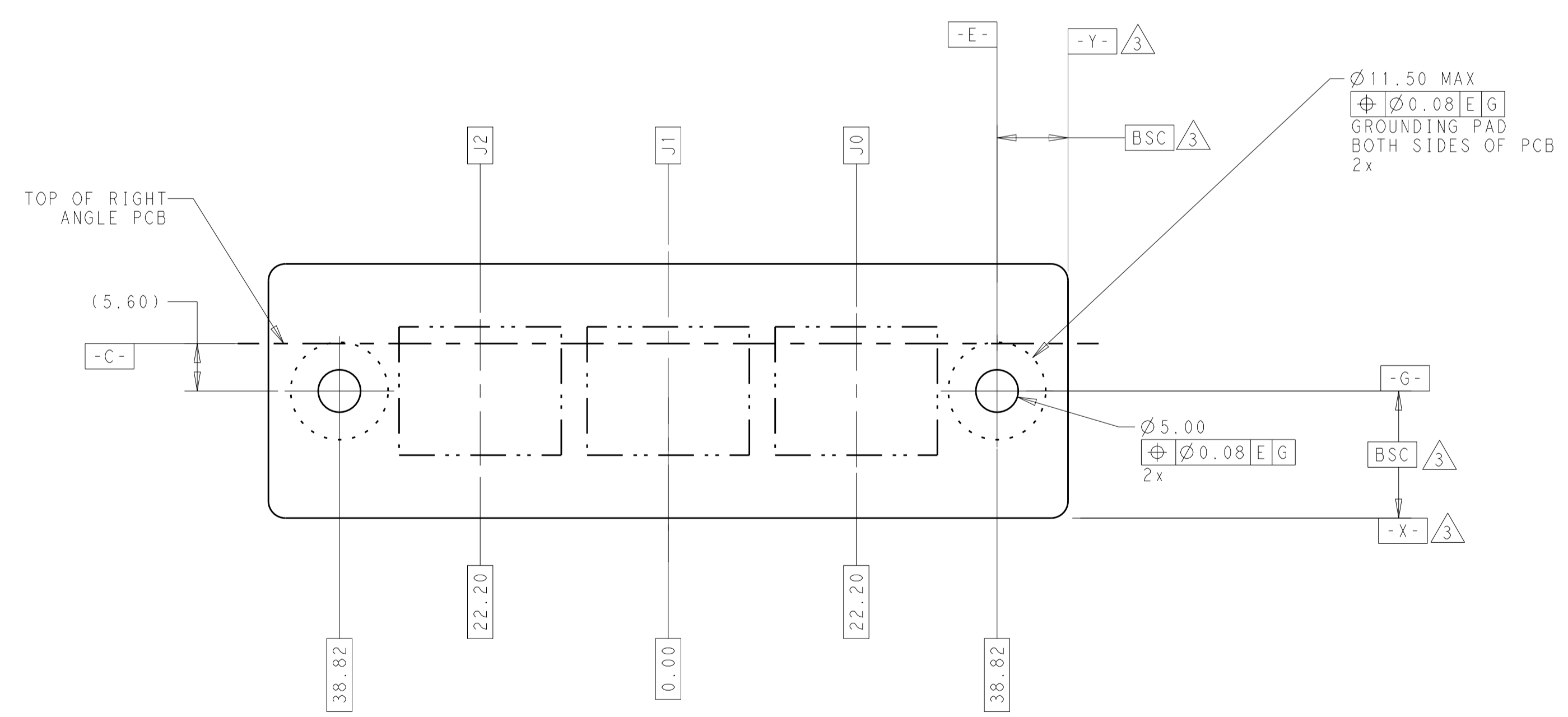


REVISIONS				
P.	LTN	DESCRIPTION	DATE	APPROV
2		ADDED NEW DASH NUMBER	24APR2014	DCB KT
3		ADDED NEW DASH NUMBER	21MAY2014	DCB KT
5		ECO-15-001933	24FEB2015	KG DH



DETAIL D
SCALE 5:1

2226784-1 SHOWN



- 1 MATERIAL: ALUMINUM ALLOY
- 2 FINISH: TRIVALENT CHROMATE, 96 HOUR SALT SPRAY CAPABLE.
- 3 DATUMS AND BASIC DIMENSIONS ESTABLISHED BY CUSTOMER.

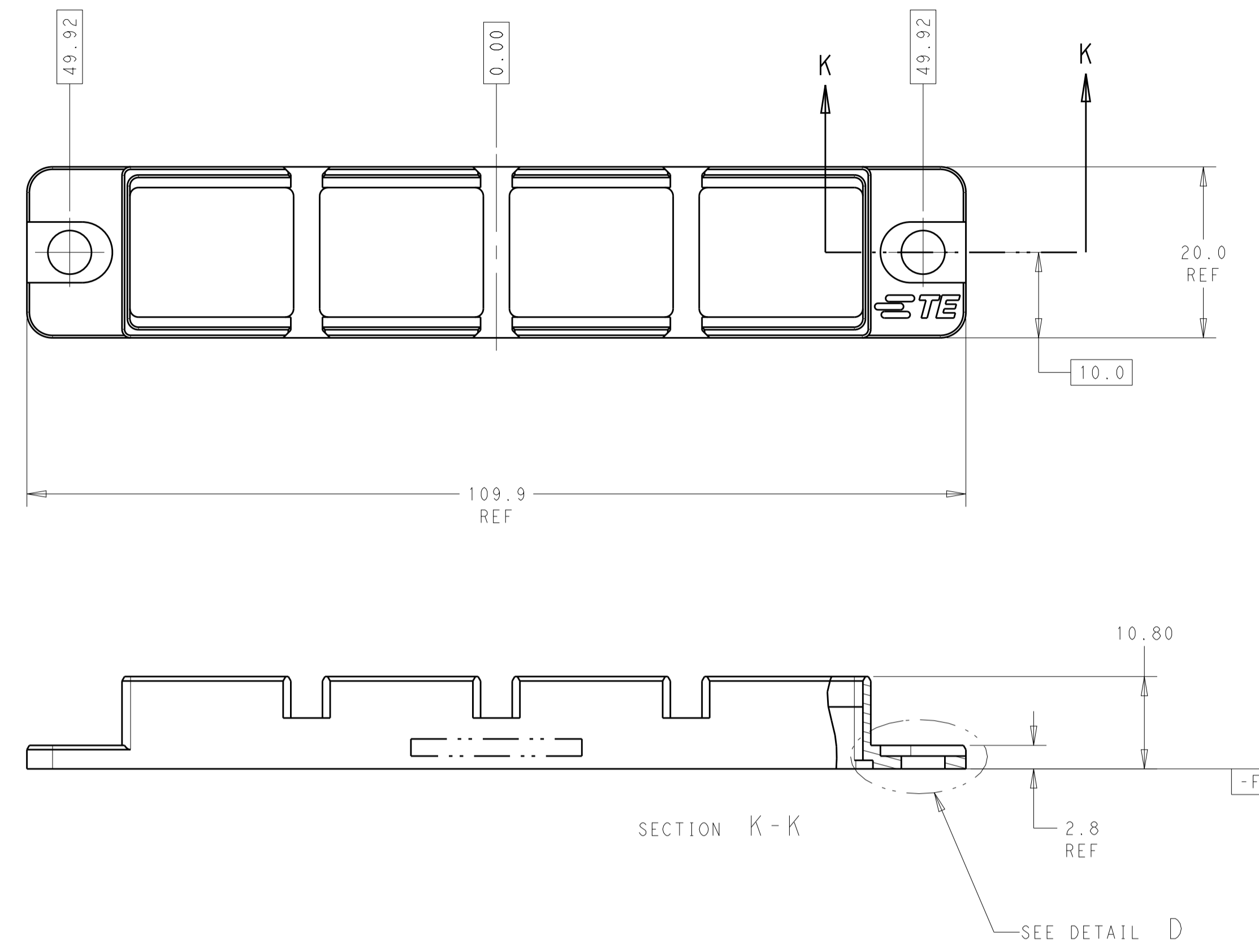
PCB INSERT LOCATIONS

31.1	4	8	2226784-5
29.3	3	8	2226784-4
34.2	4	9	2226784-3
15.1	2	4	2226784-2
12.0	2	3	2226784-1
APPROX. WEIGHT g	SHELL TO PCB MOUNTING POINTS	# OF BAYS	PART NUMBER

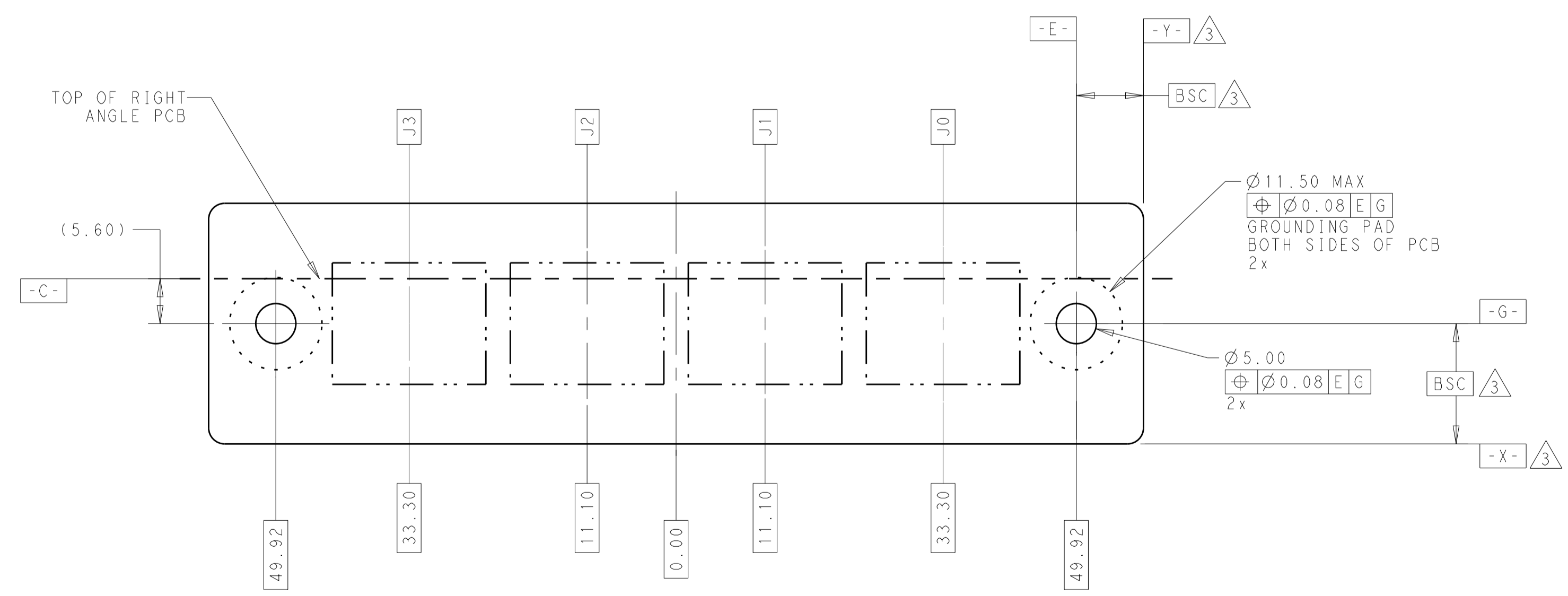
THIS PRINT IS
PRELIMINARY
 UNQUALIFIED PRODUCT
 CONTACT PRODUCT ENGINEERING
 BEFORE USING THIS PRINT

THIS DRAWING IS A CONTROLLED DOCUMENT.		DWN D BELACK 18NOV2013		
DIMENSIONS: mm		CHK K THACKSTON	For this Zc LRM, BACKPLANE, VERTICAL, SHELL ASSEMBLY	
TOLERANCES UNLESS OTHERWISE SPECIFIED:		APPR M McALONIS	PRODUCT SPEC 108-2474 APPLICATION SPEC 408-10464	
0 PLC ±.13 2 PLC ±0.08 3 PLC ±0.025 4 PLC ±.1		SIZE A1	CAGE CODE C=2226784	RESTRICTED TO
MATERIAL 1		FINISH 2	WEIGHT	Customer Drawing
ANGLES ±2°		SCALE 2:1	SHEET 1 of 5	REV 5

REVISIONS				
P.	LTN.	DESCRIPTION	DATE	APVD.
-	-	SEE SHEET 1	-	-



2226784-2 SHOWN

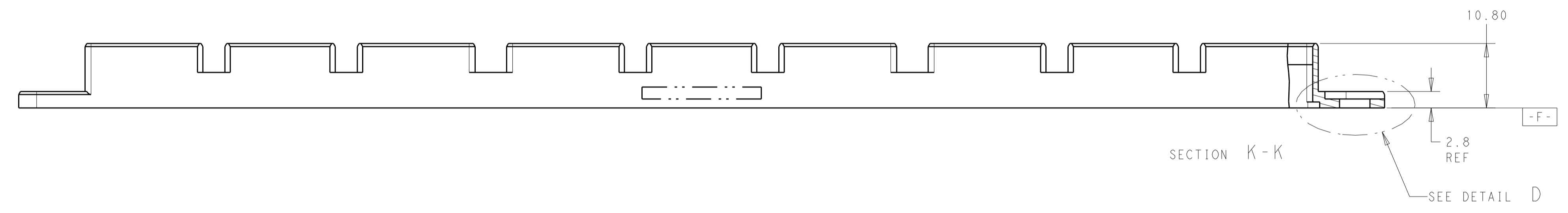
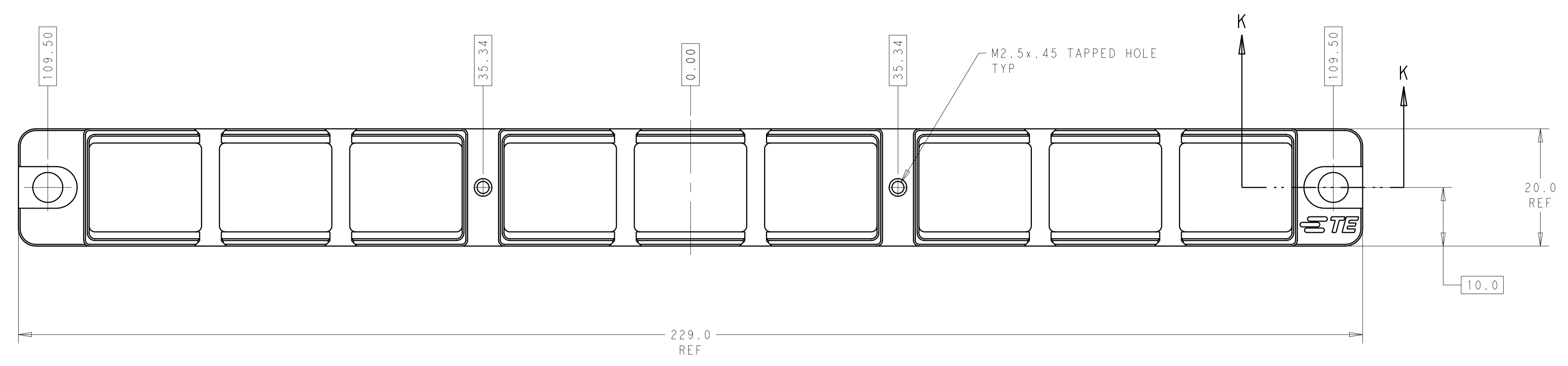


THIS PRINT IS
PRELIMINARY
 UNQUALIFIED PRODUCT
 CONTACT PRODUCT ENGINEERING
 BEFORE USING THIS PRINT

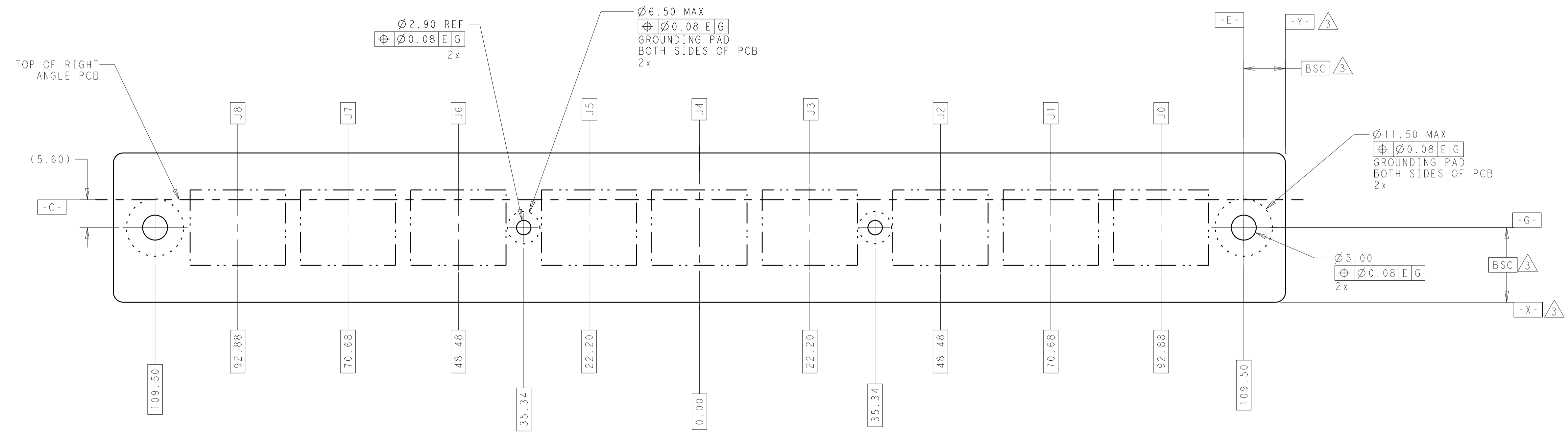
PCB INSERT LOCATIONS

THIS DRAWING IS A CONTROLLED DOCUMENT.		DWN: D. BELACK 18NOV2013	TE Connectivity
DIMENSIONS: mm		CHK: K. THACKSTON	
TOLERANCES UNLESS OTHERWISE SPECIFIED: 0 PLC ±0.13 2 PLC ±0.08 3 PLC ±0.08 4 PLC ±0.025 ANGLES ±2°		APVD: M. McALONIS	NAME: Fortis Zd LRM, BACKPLANE, VERTICAL, SHELL ASSEMBLY
MATERIAL: 1		FINISH: 2	PRODUCT SPEC: 108-2474
			APPLICATION SPEC: 408-10464
			SIZE: A1
			RESTRICTED TO: -
			SCALE: 1:1 SHEET 2 OF 5 REV 5
			Customer Drawing

REVISIONS				
P.	LTN.	DESCRIPTION	DATE	APVD.
-	-	SEE SHEET 1	-	-



2226784-3 SHOWN

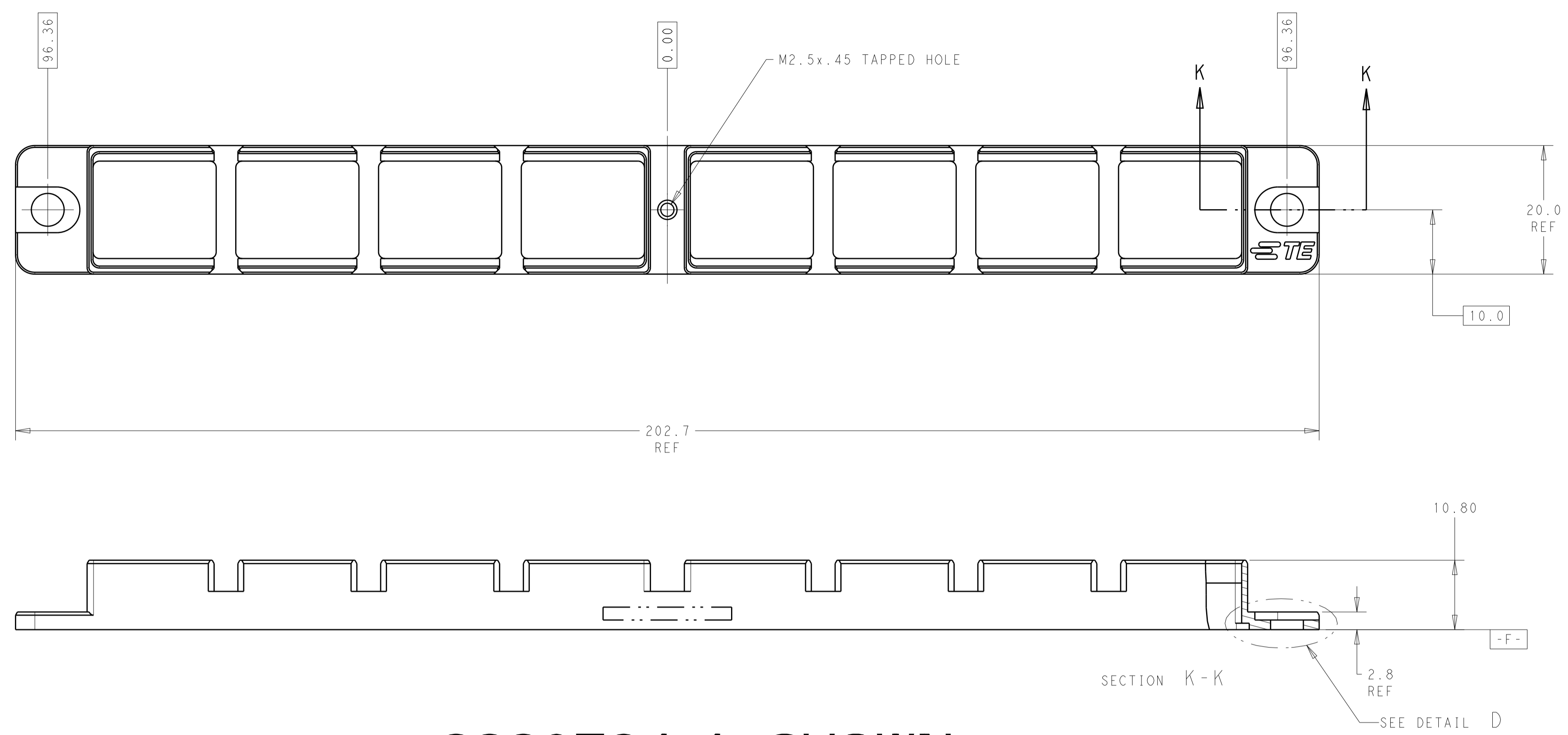


THIS PRINT IS
PRELIMINARY
 UNQUALIFIED PRODUCT
 CONTACT PRODUCT ENGINEERING
 BEFORE USING THIS PRINT

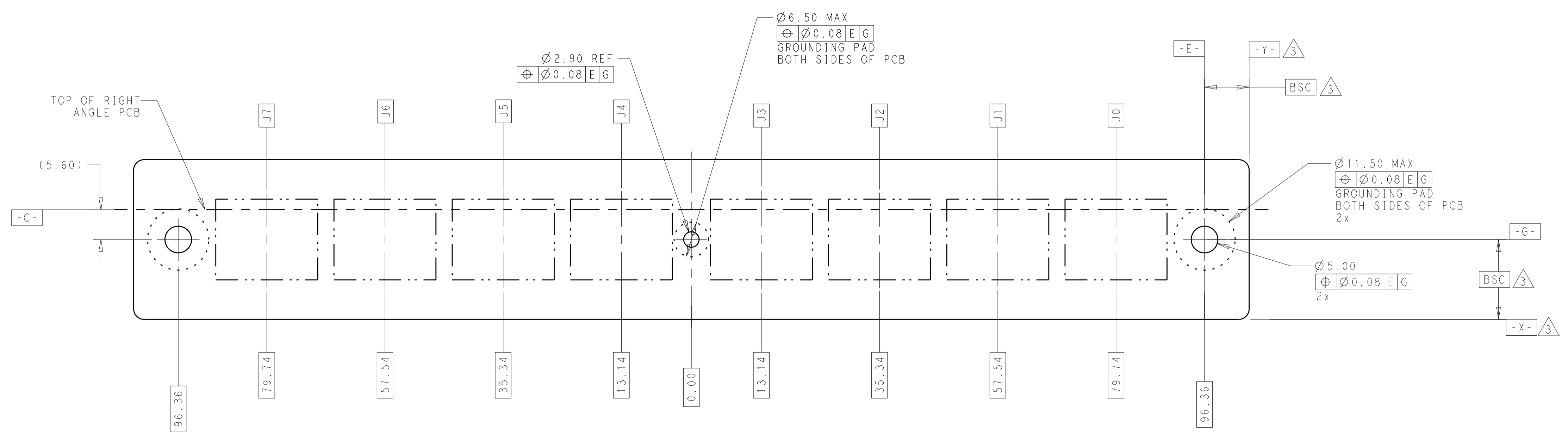
PCB INSERT LOCATIONS

THIS DRAWING IS A CONTROLLED DOCUMENT.		DWN: D. BELACK 18NOV2013	TE Connectivity Fortis Zd LRM, BACKPLANE, VERTICAL, SHELL ASSEMBLY
DIMENSIONS: mm		CHK: K. THACKSTON	
TOLERANCES UNLESS OTHERWISE SPECIFIED:		APVD: M. McALONIS	NAME: -
0 PLC ±0.13	1 PLC ±0.08	2 PLC ±0.08	3 PLC ±0.08
4 PLC ±0.025	ANGLES ±2°	PRODUCT SPEC: 108-2474	
MATERIAL: 1		APPLICATION SPEC: 408-10464	
FINISH: 2		WEIGHT: -	
Customer Drawing		SIZE: A1	RESTRICTED TO: -
SCALE: 1:1		CAGE CODE: -	DRAWING NO: C=2226784
SHEET 3 OF 5		REV 5	

REVISIONS				
P.	LTN.	DESCRIPTION	DATE	APVD.
-	-	SEE SHEET 1	-	-



2226784-4 SHOWN

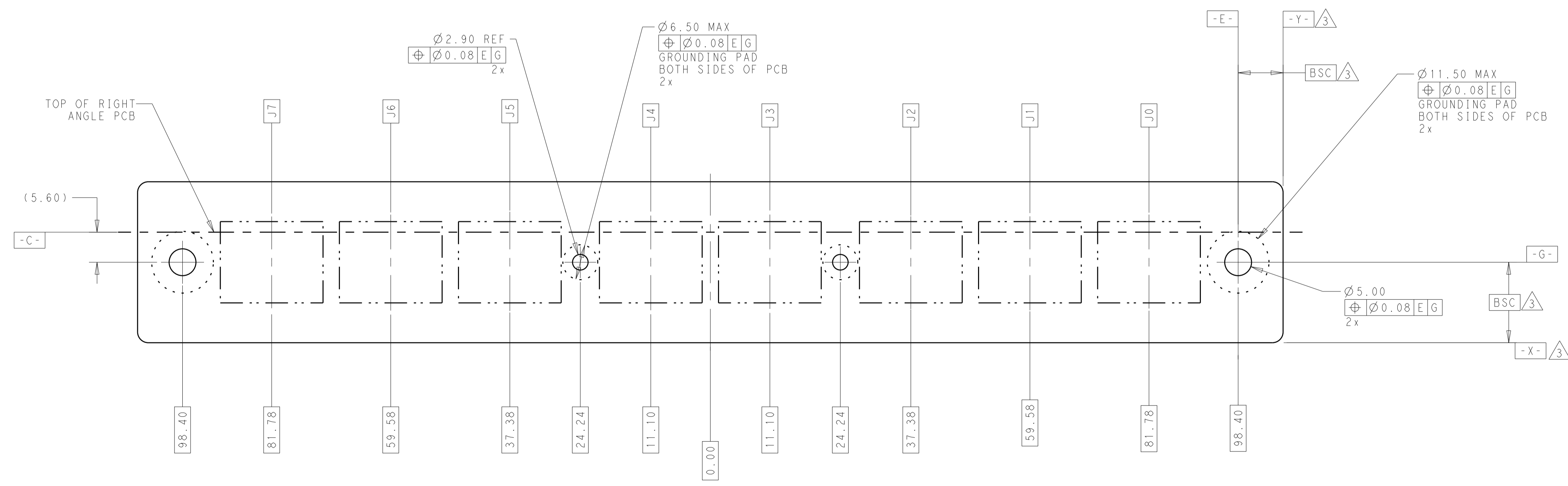
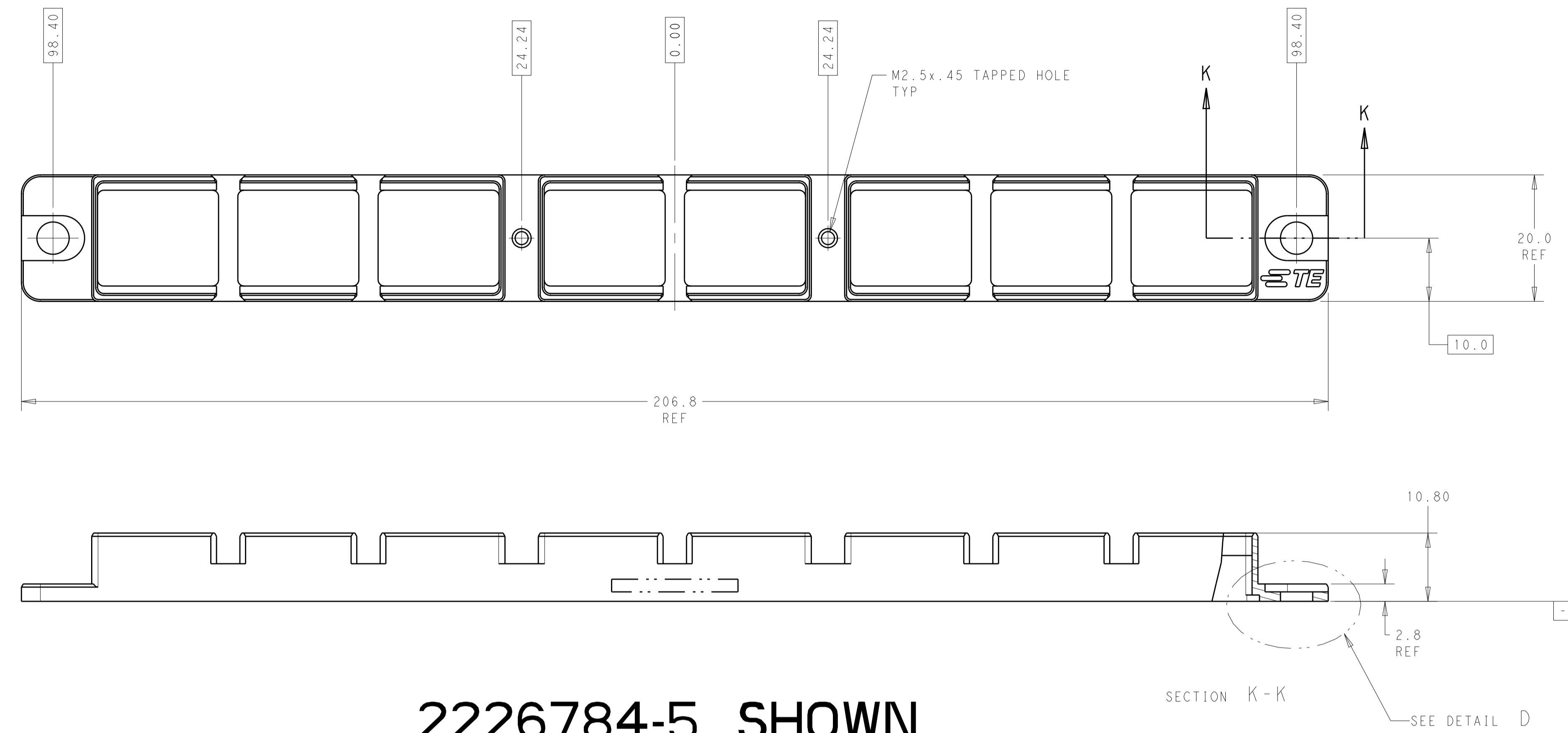


PCB INSERT LOCATIONS

THIS PRINT IS
PRELIMINARY
 UNQUALIFIED PRODUCT
 CONTACT PRODUCT ENGINEERING
 BEFORE USING THIS PRINT

THIS DRAWING IS A CONTROLLED DOCUMENT.		DWN: D. BELACK 18NOV2013	TE Connectivity NAME: Fortis Zd LRM, BACKPLANE, VERTICAL, SHELL ASSEMBLY
DIMENSIONS: mm		CHK: K. THACKSTON	
TOLERANCES UNLESS OTHERWISE SPECIFIED:		APVD: M. McALONIS	PRODUCT SPEC: 108-2474
0 PLC ±0.13 1 PLC ±0.08 2 PLC ±0.08 3 PLC ±0.025 4 PLC ±0.025 ANGLES ±2°		APPLICATION SPEC: 408-10464	RESTRICTED TO: -
MATERIAL: 1		FINISH: 2	SIZE: A1 CAGE CODE: - DRAWING NO: C=2226784 WEIGHT: - Customer Drawing
SCALE: 1:1			SHEET: 4 OF 5 REV: 5

REVISIONS				
P.	LTN.	DESCRIPTION	DATE	APP'D.
-	-	SEE SHEET 1	-	-



PCB INSERT LOCATIONS

THIS PRINT IS
PRELIMINARY
 UNQUALIFIED PRODUCT
 CONTACT PRODUCT ENGINEERING
 BEFORE USING THIS PRINT

THIS DRAWING IS A CONTROLLED DOCUMENT.		DWN: D. BELACK 18NOV2013	TE Connectivity NAME: Fortis Zd LRM, BACKPLANE, VERTICAL, SHELL ASSEMBLY
DIMENSIONS: mm		CHK: K. THACKSTON	
TOLERANCES UNLESS OTHERWISE SPECIFIED: 0 PLC ±0.13 1 PLC ±0.08 2 PLC ±0.08 3 PLC ±0.025 4 PLC ±0.025 ANGLES ±2°		PRODUCT SPEC: 108-2474 APPLICATION SPEC: 408-10464 WEIGHT: -	SIZE: A1 CAGE CODE: - DRAWING NO: C=2226784 RESTRICTED TO: -
MATERIAL: -		FINISH: -	SCALE: 2:1 SHEET: 5 OF 5 REV: 5