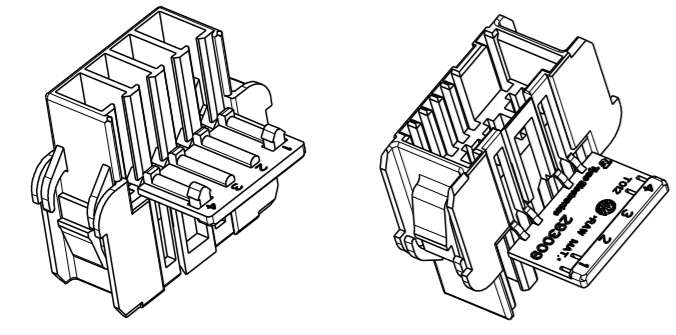
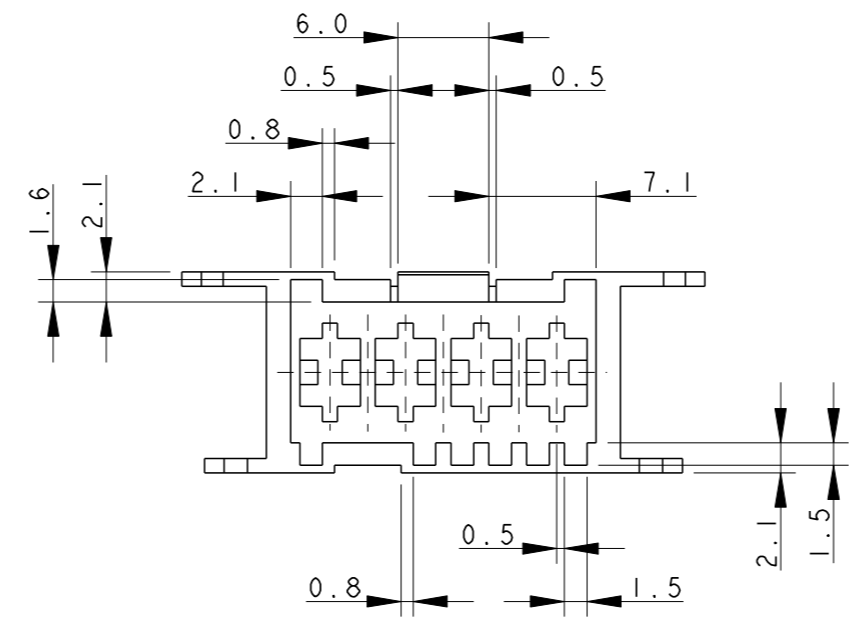


LOC		DIST		REVISIONS			
P	LTR	DESCRIPTION		DATE	DWN	APVD	
	B	RELEASED, ET00-0224-04		11 NOV 2004	HY	GT	
	B1	UPDATED, ET00-0012-05		12 JAN 2005	HY	GT	
	B2	P/N 293009-3 ADDED AS PRELIMINARY		02 DEC 2009	PKS	RRP	
	B3	PN 293009-3 RELEASED		10MAR2011	PKS	MP	

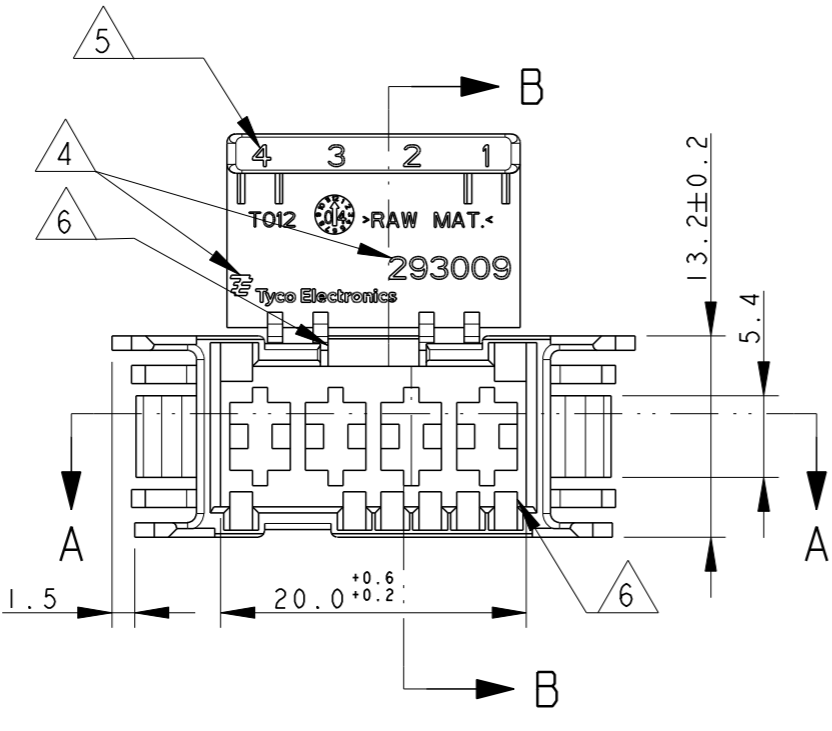
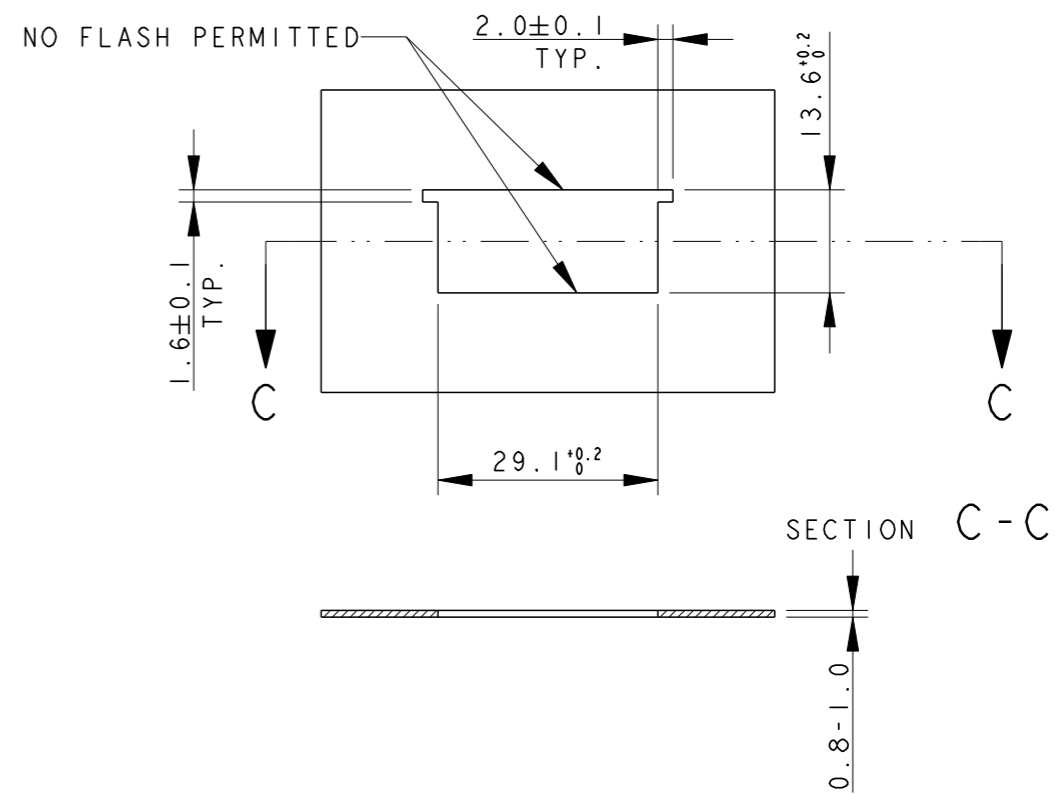
POLARIZATION KEYS SCHEME



SCALE 1:1

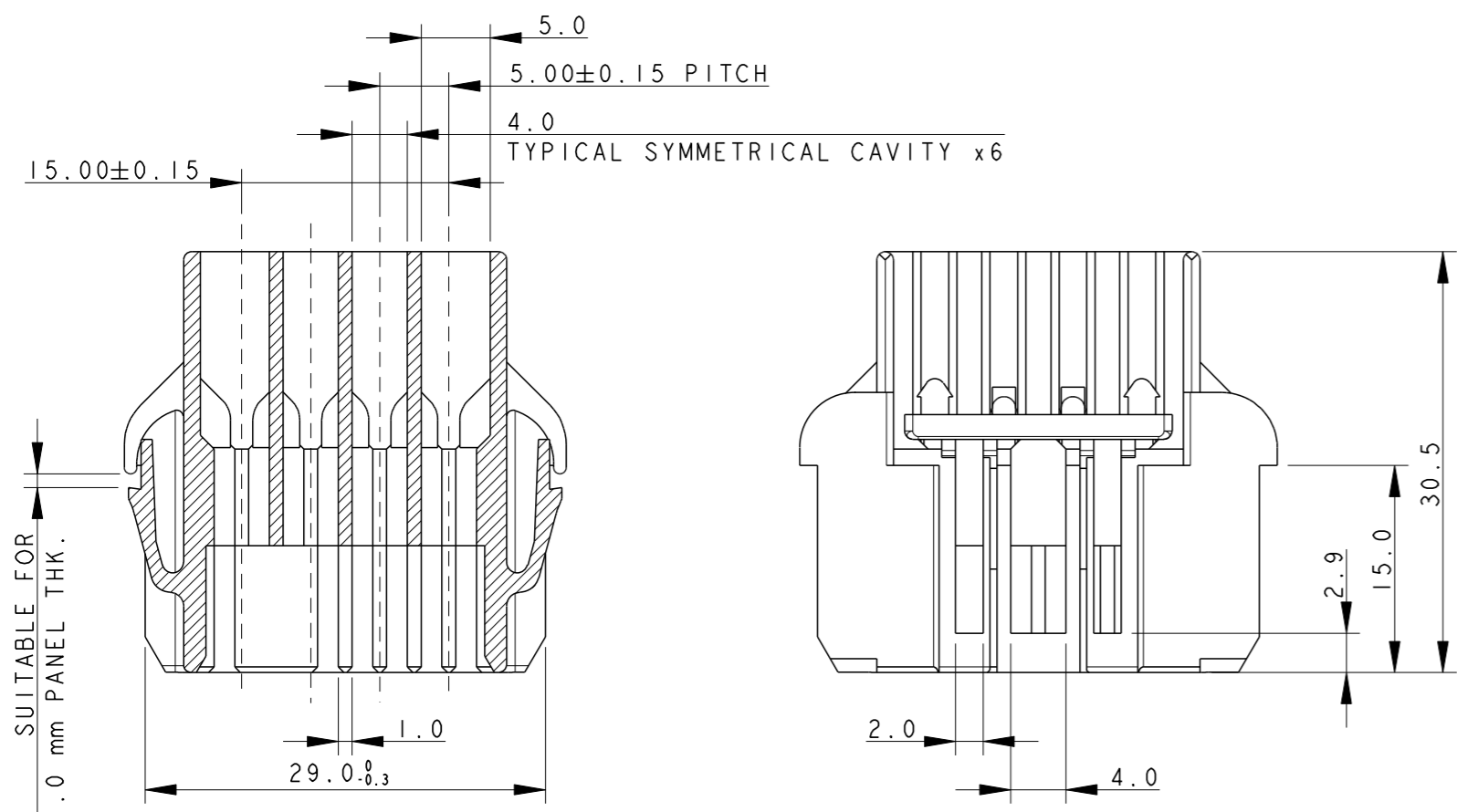
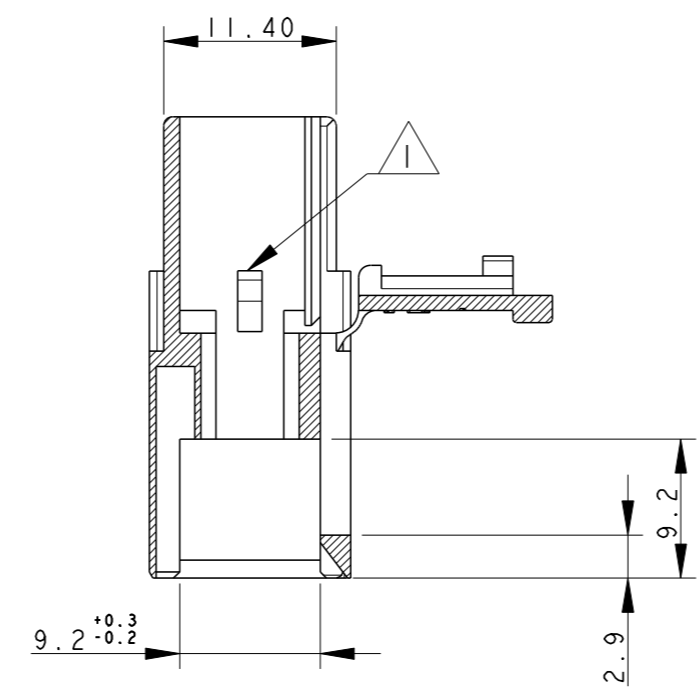


PANEL MOUNT DIMENSIONS SCALE 1:1



SECTION A-A

SECTION B-B



SUITABLE FOR 0.8-1.0 mm PANEL THK.

- 1 TYPICAL CAVITY SUITABLE FOR:
 FASTIN-FASTON TAB CONTACTS 6.3 mm SRS:
 P/N: 60294, 0.3-0.8 mm² WIRE RANGE
 160691, 0.3-0.8 mm² WIRE RANGE
 AMPLIVAR CONTACTS:
 P/N: 141051, 0.1-0.5 mm² WIRE RANGE
 142411, 0.3-1.6 mm² WIRE RANGE
 MAX. INSULATION DIA. 2.8 mm,
 MAX. INSULATION CRIMP WIDTH 3.3 mm.
- 2) PA6 UNFILLED, UL 94-V2, NATURE COLOUR ACCORDING TO IEC 60335-1 NORM.
- 3) PA66 UNFILLED, UL 94-V2, NATURE COLOUR
- 4 TE TRADEMARK "LOGO" AND TYCO ELECTRONICS "PART NUMBER" OPTIONAL POSITION.
- 5 CIRCUIT IDENTIFICATION NUMBERS, 1 TO 4
- 6 POLARIZATION KEYS DIMENSIONS AND POSITIONS ARE ACCORDING TO "RAST 5" NORM RAST CODE 04-B, 04-C, 04-F, 04-G.
- 7) PA66 UNFILLED, UL 94-V0 GWT, NATURE COLOUR

NATURALE (NATUR)	VEDI NOTA 7 (SEE NOTE 7)	293009-3	B
NATURALE (NATUR)	VEDI NOTA 3 (SEE NOTE 3)	293009-2	B
NATURALE (NATUR)	VEDI NOTA 2 (SEE NOTE 2)	293009-1	B
COLORE (COLOUR)	MATERIALE (MATERIAL)	NUMERO (TE P/N)	REV

THIS DRAWING IS A CONTROLLED DOCUMENT FOR TYCO ELECTRONICS CORPORATION IT IS SUBJECT TO CHANGE AND THE CONTROLLING ENGINEERING ORGANIZATION SHOULD BE CONTACTED FOR THE LATEST REVISION.

DWN H. YAALI 29 JAN 2004
 CHK C. TARTARI
 APVD -

Tyco Electronics Tyco Electronics AMP Italia S.p.A.
 C.so F. Cervi, 15 COLLEGGNO (TO)

NAME 4 POS. FASTIN-FASTON Connector TAB HOUSING, RAST 5
 0.8-1.0 MM THK. PANEL MOUNT VERSION

PRODUCT SPEC 108-20256
 APPLICATION SPEC -

MATERIAL SEE TABLE TOLERANCES UNLESS OTHERWISE SPECIFIED:
 0 PLC ±-
 1 PLC ±0.3
 2 PLC ±-
 3 PLC ±-
 4 PLC ±-
 ANGLES ±1°
 FINISH

WEIGHT -

CUSTOMER DRAWING SCALE 3:1 SHEET 1 OF 1 REV B3

SIZE A2 CAGE CODE 00779 DRAWING NO. C-293009 RESTRICTED TO